

# **ENRAF** **SMART SERVO 954**

Industry's Best Servo Gauge Is Now Even Better



**Honeywell**



# INTRODUCING THE SMART SERVO 954

Honeywell Enraf has ensured that the industry's best tank gauging solution is now even better. Designed for measuring varied liquids in any type of storage tank, our new Smart Servo 954 is a reliable, versatile and accurate automatic tank gauge. This instrument advances the art of tank gauging by combining proven technology with enhanced electronics and software, as well as increased intelligence. And, it stands up to the most demanding process conditions.

## THE INNOVATIVE DESIGN OF THE SMART SERVO 954 INCORPORATES:

- Patented algorithms for greater precision in all applications
- Adaptive dynamic compensations to improve measurement under adverse conditions
- Unique force transducer technology to optimize stable operation
- Advanced drum calibration for guaranteed accuracy
- "SIL-by-design" features with unique diagnostics for reliable operation (IEC 61508)
- Separate terminal compartment for ease of wiring
- Safety approvals and certifications from legal metrology institutes worldwide
  - NMI approvals
  - OIML R85 and varied liquids compliance

## State-of-the-art Features

The Smart Servo 954 was designed to incorporate a host of innovative, best-in-class features.

For example, its unique, fully capable software supports diagnostics on SIL-rated loops. An option slot for additional functionalities allows the connection of temperature measuring elements for spot/average product and vapor

phase temperature, as well as product temperature profiles.

The new gauge is equipped with a Servo Auto Test feature, which increases safety, integrity and diagnostic coverage, and enables usage in overfill protection loops. It can be included in SIL-2 safety loops, and if used in a redundant configuration, is suitable for SIL-3-rated loops.





# Technical Specifications

## DATA COMMUNICATION

### Honeywell Bi-phase mark (Pos 7 = B)

Baud rate	1200 / 2400 bps
Cable characteristics	2 wires, twisted pair, Rmax = 200 Ohm / line, Cmax = 1uF; cable length: 10 km (6 miles) or more *1
Isolation voltage	> 1,500 V
Lightning protection	Full galvanic separation via isolating transformers
Protocol	Standard Honeywell fieldbus (Serial, ASCII, GPU protocol)
Common mode rejection	> 150 dB

### TRL/2 Communication Protocol TRL/2 Communication Protocol TRL/2 Communication Protocol (Pos 7 = T)

Protocol	Modbus RTU; Communication: TRL/2 100/90 KHz FSK
Baud rate	4800, 8 bits and 1 stop bit.
Lightning protection	Opto-isolators
Cabling	18 AWG (minimum) with shielded twisted pair, max 4 km with max 8 multi drop Gauge connections
Physical layer	Logic 1 is represented by 100kHz and Logic 0 by 90kHz:(+/-3%)
Voltage levels	3.6V +/- 10%.
Power rating	At 12V Nominal current drawn by TRL/2 module alone is 40mA (+/- 10%), [power consumption is 480mW (+/- 10%)]. The worst case current/power drawn with below mentioned conditions is 60mA.

### HART® Slave – Multidrop and/or 4-20 mA (Pos 7 = H)

Protocol	Communications: HART® 7
Analog output loop (non-I.S.)	Active or Passive; selectable by jumper – Active: output voltage: 20V ±5% – Passive: minimum external supply voltage: 11.5 V maximum external supply voltage: 30 V (55 V with serial resistor)
Accuracy	±0.1% of actual measurement
Cable characteristics	2 wires, shielded, twisted pair

## ALARM CONTACT OPTIONS

Hardware alarms (1x SPDT)	125 VAC, 0,5 A (110 VDC, 0,3 A)
Hardware alarms (1x SPDT)	150 VAC, 3 A (40 VDC, 3 A)
Hardware alarms (2x SPDT)	125 VAC, 0,5 A (110 VDC, 0,3 A)
Hardware alarms (2x SPDT)	150 VAC, 3 A (40 VDC, 3 A)
Relay operation	– Normally Open/Normally Closed contact: selectable by jumper – Normally Energized / Normally De-energized: configurable by software setting – PV Monitor (any of the measured parameters, configurable by software setting) – Remote control (configurable by software setting)

## SIL 2/3 SAFETY FUNCTIONS ALARM CONTACTS OPTIONS

SIL Digital Output	1 x SIL DO contact (1 x SPDT contact, 2 A at 250 Vac or 2 A at 40 Vdc, Pmax = 500 W) 2 x SIL DO contact (2 x SPDT contact, 2 A at 250 Vac or 2 A at 40 Vdc, Pmax = 500 W)
SIL Analog Output	SIL AO NAMUR NE43 compliant
SIL Digital Output + Analog Output	SIL AO + 1 SIL DO contact NAMUR NE43 compliant (1 x SPDT contact, 2 A at 250 Vac or 2 A at 40 Vdc, Pmax = 500 W) SIL AO + 2 SIL DO contacts NAMUR NE43 compliant (2 x SPDT contact, 2 A at 250 Vac or 2 A at 40 Vdc, Pmax = 500 W)

Continued...

### Notes:

HART® is a registered trademark of the HART Communications Foundation.  
\*1 Distances of more than 10 km possible depending on amount of field instruments and cabling topology.

\*2 Under reference conditions.

\*3 With VITO temperature probe or Spot (PT100).

\*4 Various generally available types of elements (RTD, MRT) can be selected.

\*5 Under reference conditions

\*6 Minimum product density between layers: 100 kg/m<sup>3</sup> (6.25 lb/ft<sup>3</sup>)

\*7 In extreme environments the accuracy could be affected depending on the thermal expansion coefficient of the wetted parts.

## Technical Specifications (continued)

### INPUT

#### VITO Input for Temperature and Water Probe

Communications	Proprietary HART® (Ex-i)
Cable characteristics	2 wires, shielded, twisted pair, Cmax = 1 µF, Lmax = 9 mH, Rmax = 25 Ω / line
Accuracy	– Temperature measurement: ±0.1 °C (±0.18 °F) *2, *3 – Water level measurement: ±2 mm (0.078") *3
Resolution	– Temperature measurement: 0.01 °C (0.01 °F) – Water level measurement: 0.1 mm (0.01")

#### Spot RTD Input

Configurations	– 3 wire or 4 wire RTD, one element or two elements *4 – MPT or MRT up to 6 elements with 2 common ground wires *4
Cable characteristics	Shielded, Rmax = 100 Ω / line, Cmax = 1 µF, Lmax = 10.5 mH
Accuracy	±0.1 °C (±0.18 °F)
Resolution	0.01 °C (0.01 °F)

#### HART® Input

Configurations	Options – 5 HART® inputs and / or HIMS density calculation – VITO sensors and / or 3 HART® inputs – 3 HART® input, HIMS density calculation and VITO sensors
Max. instruments per module	5 (digital) or 1 (analog)
Communications	HART® (revision 4)
Cable characteristics	2 wires, shielded, twisted pair, Cmax = 1 µF, Lmax = 9 mH, Rmax = 25 Ω / line

#### Other Options

Cable entries	Adapters available to fit other sizes cable glands
---------------	--

### INSTRUMENT MEASURING SPECIFICATION

#### Level measuring range

Standard	27 m (88 ft) Pos 18 = A, B, C
Extended	37 m (121 ft) Pos 18 = E, F 40 m (131 ft) Pos 18 = H, 45 m (147 ft) Pos 18 = K, 35 m (115 ft) (with measuring wire up to 150 m (492 ft)) Pos 18 = M; For longer ranges, please contact factory
Measuring accuracy level	40 m (131.2 ft): < ± 0.4 mm (± 0.016") *5; 40 m (131.2 ft): OIML R85 certified (Pos 5 = X); 45 meter with +- 1 mm accuracy last 35 meter with +- 1 mm accuracy on 150 m wire
Measuring accuracy interface	< ± 2 mm (± 0.08") *6
Measuring accuracy temperature	< ± 0.1 °C (± 0.18 °F) *5
Sensitivity	≤ 0.1 mm (± 0.004") *5
Repeatability	≤ 0.1 mm (± 0.004") *5

#### Density Measurement

Density measurement	With density firmware (Pos 20 = D and density displacer (Pos 19 - E or F)
Measuring accuracy servo density	< ± 3 kg/m3 (± 0.19 lb/ft3)

### MECHANICAL

Flange	See 'Identification Code' Pos 14-16
Dimensions	See 'Dimensional Drawing'
<b>Weight</b>	
Medium pressure version	16 kg (35 lb)
Chemical version	21 kg (46 lb)
High pressure version	26 kg (57 lb)
Cable entries	4 x ¾" NPT threaded (2* I.S. + 2* non-I.S.)

## Technical Specifications (continued)

### PROCESS

#### Operating pressure

M and C versions	Up to 6 bar / 0.6 MPa (90 psi); Pos 14
H version	Up to 40 bar / 4 MPa (600 psi) (up to 25 bar / 2.5 MPa in acc. to PED); Pos 14

#### Temperature

Max. process temperature	+200 °C (+392 °F), drum housing must be kept below +65 °C (+149 °F) *7
Min. process temperature	-200 °C (-328 °F), drum housing must be kept above -40 °C (-40 °F) *7

### PROCESS WETTED MATERIALS

Drum compartment	Cast aluminum Int. reg. AA A356 EN1706 AC-AISI7Mg0.3; Pos 14 = A or M Stainless steel ASTM A351, CF-8M, G-X6 CrNiMo 18 10 (1.4408); Pos 14 = H or C
Measuring drum, drum shaft	Stainless steel (1.4401) EN10088 AISI 316
Measuring wire	See 'Identification Code'; Pos 18
Magnet cap	Stainless steel (1.4401) EN10088 AISI 316
O-rings	Drum cover Silicone/FEP; others FPN (Viton®); Special O-ring (Perlas®) available for demanding chemical applications (such as Ammonia), part nr. S0854969

### ENCLOSURE MATERIALS

Servo comp. and cover	All types cast aluminum Int. reg. AA A356 EN1706 AC-AISI7Mg0.3
Finish aluminum parts	Conforms to MIL-DTL-5541F

### ENVIRONMENTAL SAFETY

Ambient temperature	-40 °C to +65 °C (-40 °F to +149 °F)
Storage temperature	-50 °C to +70 °C (-58 °F to +158 °F)
Protection class	IP66 / IP67 according to EN 60529 (NEMA 4X)
Safety	Explosion proof – II 1/2 G Ex d IIB T6 Ga/Gb or Ex de IIB T6 Ga/Gb or Ex d [ia Ga] IIB T6 Ga/Gb or Ex de [ia Ga] IIB T6 Ga/Gb; acc. to ATEX KEMA – Class I, Division 1, Group C & D; acc. to FM – Class I, Group C & D acc. to CSA certificate Consult factory for other approvals and updates

### ELECTRICAL

Power supply	Autoselect 65 Vac to 240 Vac, 50/60 Hz and/or 24 Vdc to 65 Vdc
Power rating	11 Wmax continuously

### FUNCTIONAL SAFETY

Configuration	TÜV certified for SIL 2 (single configuration) and SIL 3 (redundant configuration). For contact specification, refer to page 5.
---------------	--

# Identification Code

I.S Terminals    NON I.S Terminals    Boards

Pos 1, 2, 3, 4 Instrument code

9 5 4 A SmartServo FlexLine

## Pos 5 Performance and Legal metrology approvals

X	Accuracy ± 0,4 mm Xtreme Performance, Legal Metrology with OIML R85 report and sealing facilities. Only when Pos 7 = B or T *1	-	2	1
Y	Accuracy ± 0,4 mm Xtreme Performance per OIML R85, with factory calibration report according to OIML	-	2	1
I	Accuracy ± 1 mm High Performance, for custody transfer compliant to OIML R85, API 3.1B and ISO 4266 (1 & 3) with factory calibration report according to OIML	-	2	1
H	Accuracy ± 1 mm High Performance, for custody transfer compliant to API 3.1B and ISO 4266 (1 & 3)	-	2	1

## Pos 6 User interface (connector for portable HART SmartView standard for all selections)

A	With internal display	-	-	1
B	With internal display and terminals for stand-alone HART SmartView	2	-	1

## Pos 7 Data transmission

B	Enraf Fieldbus Bi-phase Mark (BPM)	-	2	1
H	HART / 4-20 mA output	-	2	1
T	TRL/2 field bus	-	2	1

## Pos 8 Basic VITO and HART input options

—	None	-	-	-
V	VITO temperature and/or water sensor	2	-	-
C	VITO temperature and/or water sensor and 1 HART input	4	-	-
H	HART input (up to 3 HART devices)	2	-	-
D	HART input (up to 3 HART devices) and HIMS density calculations	4	-	-

## Pos 9 Additional VITO and HART input options

—	None	-	-	1
A	VITO temperature and/or water sensor	2	-	1
G	VITO temperature and/or water sensor and 3 HART inputs	8	-	1
D	VITO temperature and/or water sensor and 3 HART inputs and HIMS density calculations	8	-	1
E	HART input (5 HART inputs)	4	-	1
F	HART input (5 HART inputs) and HIMS density calculations	4	-	1

## Pos 10 Temperature

—	None	-	-	-
R	RTD one spot element 3 wire	3	-	1
S	RTD one spot element 4 wire	4	-	1
3	RTD 3 elements MRT / MPT Common return	5	-	1
4	RTD 4 elements MRT / MPT Common return	6	-	1
5	RTD 5 elements MRT / MPT Common return	7	-	1
6	RTD 6 elements MRT / MPT Common return	8	-	1

## Pos 11 Alarm outputs

—	None	-	-	-
G	Hardware alarms (1x SPDT) 125 VAC, 0,5 A (110 VDC, 0,3 A)	-	2	1
H	Hardware alarms (1x SPDT) 150 VAC, 3 A (40 VDC, 3 A)	-	2	1
I	Hardware alarms (2x SPDT) 125 VAC, 0,5 A (110 VDC, 0,3 A)	-	4	1
J	Hardware alarms (2x SPDT) 150 VAC, 3 A (40 VDC, 3 A)	-	4	1

## Pos 12 -SIL functionality

—	None	-	-	-
L	1 x SIL DO contact (1 x SPDT contact, 2 A at 250 VAC or 2 A at 40 VDC, Pmax = 500 W)	-	2	1
M	2 x SIL DO contact (2 x SPDT contact, 2 A at 250 VAC or 2 A at 40 VDC, Pmax = 500 W)	-	4	1
N	SIL AO NAMUR NE43 compliant	-	3	1
O	SIL AO + 1 SIL DO contact NAMUR NE43 compliant (1 x SPDT contact, 2 A at 250 VAC or 2 A at 40 VDC, Pmax = 500 W)	-	5	1
P	SIL AO + 2 SIL DO contacts NAMUR NE43 compliant (2 x SPDT contact, 2 A at 250 VAC or 2 A at 40 VDC, Pmax = 500 W)	-	7	1

## Pos 13 - Additional communication

—	None or Select from Pos 7	-	0 or 2	0 or 2
---	---------------------------	---	--------	--------

## Pos 14, 15, 16 Pressure, drum compartment & flange

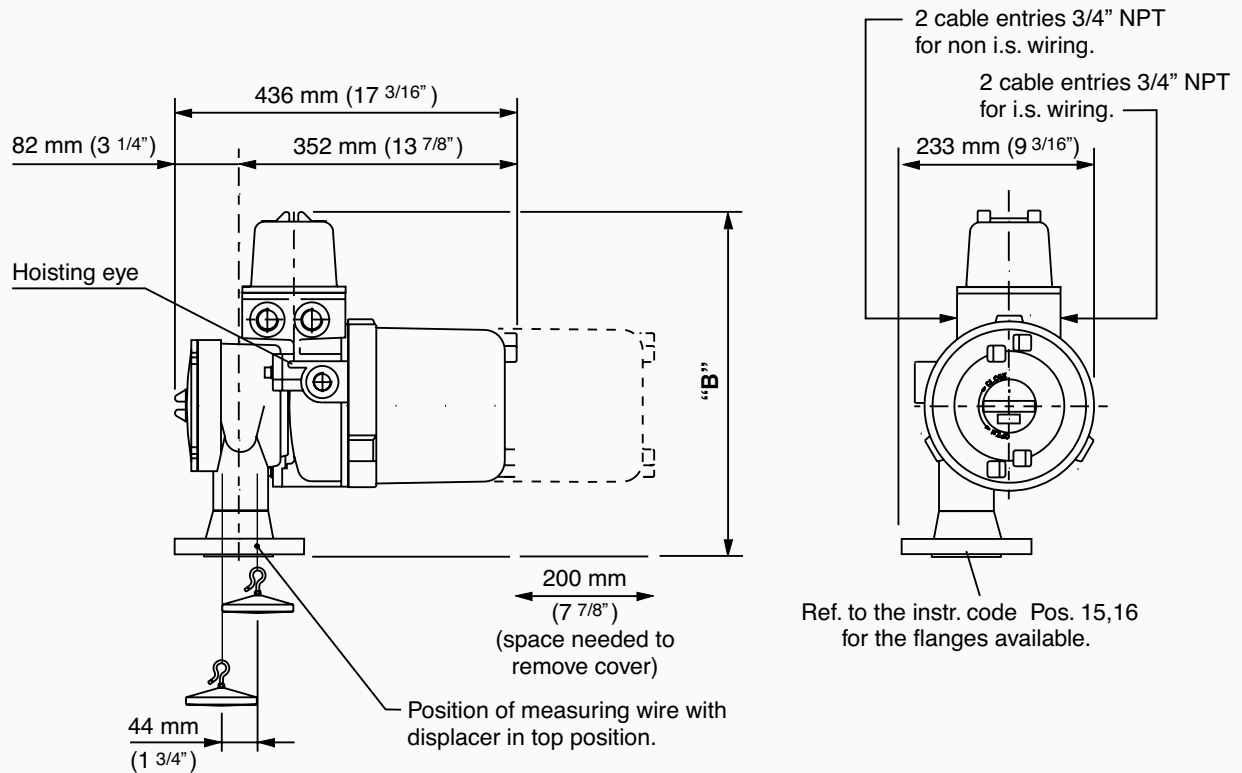
A	Atmospheric pressure, 2" Class 150 FF, Flanges acc. ASME B16.5, Ra = 3,2- 6,3 μm, AL			
---	--	--	--	--

Continued...





**DIMENSIONAL DRAWING**



	"B"
A, M and C versions	427 mm (16 13/16")
H versions	449 mm (17 11/16")

All technical specifications are subject to change without notice.



### **For More Information**

To learn more about Honeywell's Enraf Small Volume Provers, visit [www.honeywellenraf.com](http://www.honeywellenraf.com) or contact your Honeywell account manager.

### **Americas**

Honeywell Enraf Americas, Inc.  
2000 Northfield Ct.  
Roswell, GA 30076  
USA  
Phone: +1 770 475 1900  
Email: [enraf-us@honeywell.com](mailto:enraf-us@honeywell.com)

### **Europe, Middle East and Africa**

Honeywell Enraf  
Delftechpark 39  
2628 XJ Delft  
The Netherlands  
Phone: +31 (0)15 2701 100  
Email: [enraf-nl@honeywell.com](mailto:enraf-nl@honeywell.com)

### **Asia Pacific**

Honeywell Pte Ltd.  
17 Changi Business Park Central 1  
Singapore 486073  
Phone: +65 6355 2828  
Email: [enraf-sg@honeywell.com](mailto:enraf-sg@honeywell.com)

190-954-401 | June 2019 Rev.  
© 2019 Honeywell International Inc.

**THE  
FUTURE  
IS  
WHAT  
WE  
MAKE IT**

**Honeywell**